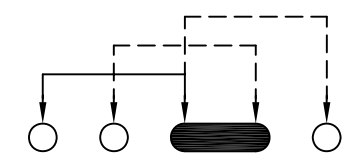
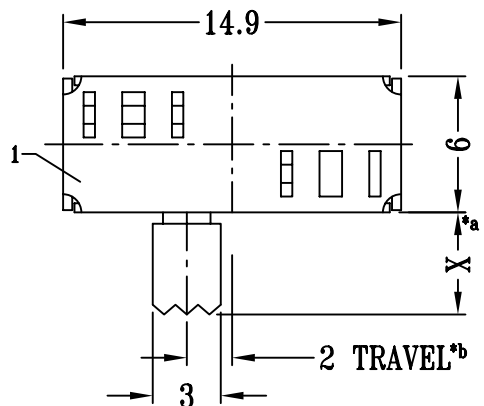
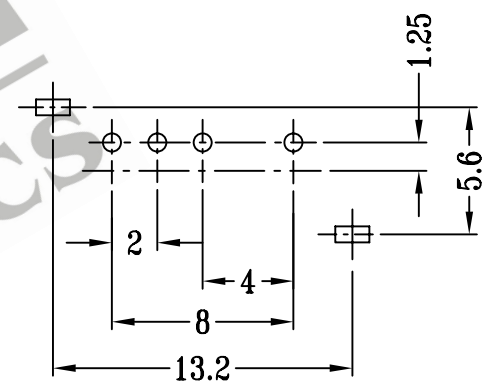
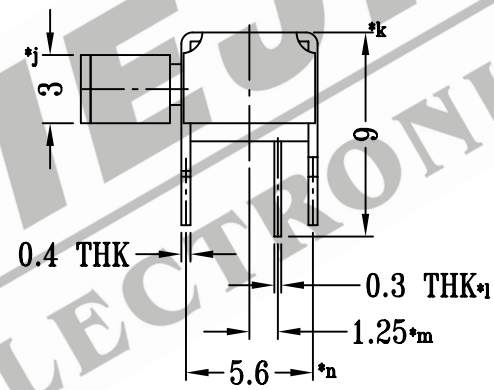
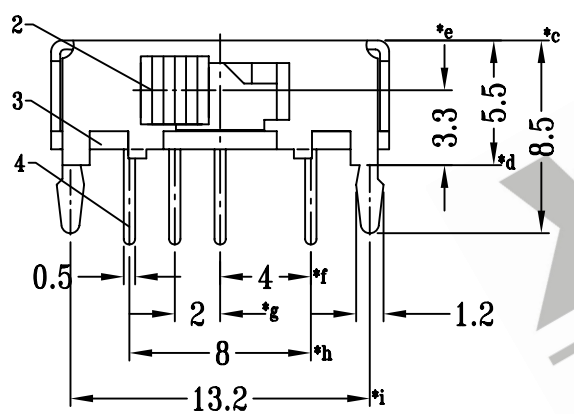


CAD FILE:



SCHEMATIC (SHORTING)



P.C.B LAYOUT

注:带"*"表示关键尺寸(14个)

				TOLERANCE UNLESS SPECIFIED		SHENZHEN XIEJIA ELECTRONICS CO.,LTD.							
				WITHIN: 1.5±0.1mm		ISSUE	DATE	DESCRIPTIONS OF REVISION		APPD.			
				OVER: 1.5±0.2mm									
8						TITLE : HORIZONTAL SLIDE SWITCH				UNIT : mm	DRWG NO.: XJ-DR-SK13D12-00		
7													
6	SPRING PLATE	STAINLESS STEEL	1	NATURAL	ALL MATERIALS MUST BE COMPLIANT TO ROHS			APPD.	CHK'D	FANGYING	2003-5-8		
5	CONTACT CLIP	PBS	1	Ag CLAD					KANGXINAN	2003-5-8			
4	TERMINAL	BRASS STRIP	4	Ag PLATED OVER Ni PLATED									
3	BASE	PHENOLIC RESIN	1	NATURAL									
2	KNOB	POM	1	BLACK									
1	FRAME	STEEL STRIP	1	Ni PLATED									
NO.	PARTS	MATERIALS	Q'TY	FINISH									